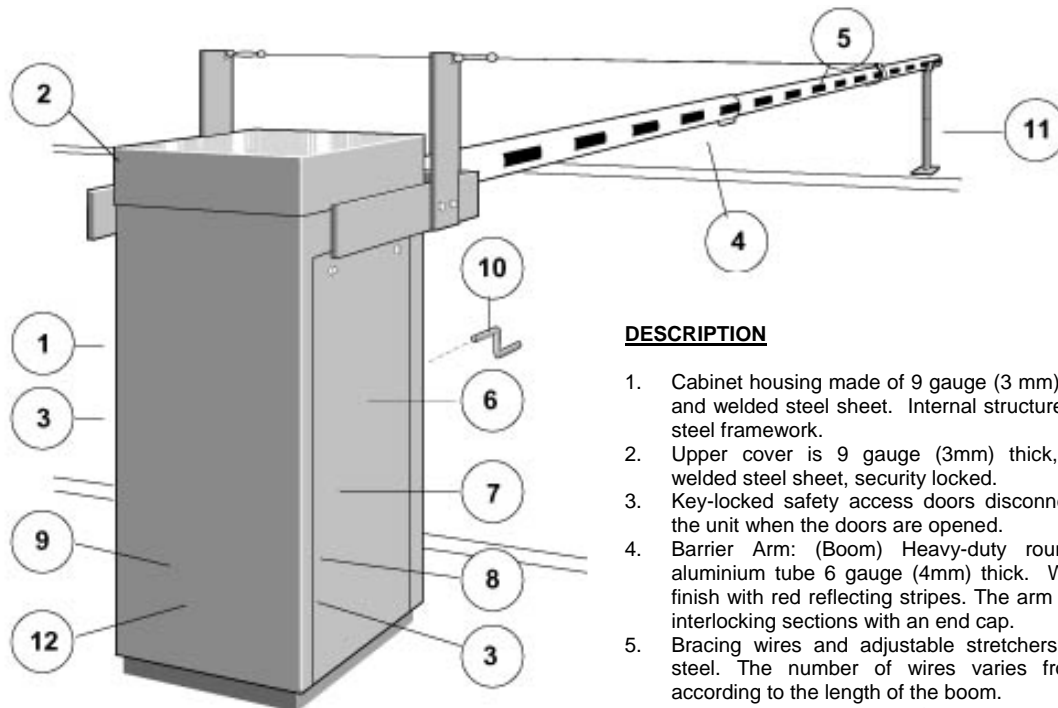


MODEL BL52 INDUSTRIAL GATE OPERATOR



MODEL BL52 INDUSTRIAL GATE OPERATOR

The Model BL52 Industrial Gate Operator is designed and manufactured by Automatic Systems. The BL52 is typically utilized for medium traffic volume and wide access point management. It is designed to stand up to the harshest weather environments and operating conditions.

The BL52 is most often utilized for multiple lanes protection. Common applications include: Bridge and Tunnel access; commercials/industrials garages and warehouses, etc. The BL52 is capable of utilizing heavy-duty barrier arms (Booms) to a maximum of 42 feet (12.8m), and can fully open in 8 to 12 seconds.

SAFETY

1. Completed Cycle Locking: Barrier arm mechanically locked in the fully completed 90° vertical up position, and in the completed horizontal down position.
2. HD Clutch: Dual Friction Disk: Torque limiter (Heavy-duty), which protects the electromechanical drive system, as well as both vehicles and pedestrians.
3. Emergency Crank with safety circuit.
4. Barrier arm safety sensor system. (See options).
5. Power Failure: System will shut off and the clutch will maintain the barrier arm in its current position.

DESCRIPTION

1. Cabinet housing made of 9 gauge (3 mm) thick, folded and welded steel sheet. Internal structure is a welded steel framework.
2. Upper cover is 9 gauge (3mm) thick, folded and welded steel sheet, security locked.
3. Key-locked safety access doors disconnect power to the unit when the doors are opened.
4. Barrier Arm: (Boom) Heavy-duty round extruded aluminium tube 6 gauge (4mm) thick. White enamel finish with red reflecting stripes. The arm consists of 3 interlocking sections with an end cap.
5. Bracing wires and adjustable stretchers in stainless steel. The number of wires varies from 2 to 4, according to the length of the boom.
6. Barrier arm rotating shaft mounted on twin balls bearings.
7. Barrier arm "45° balanced" achieved by means of integrated adjustable extension springs.
8. Electromechanical assembly includes:
 - 1/2 HP, heavy-duty, AC single or three phase instant-reversing motor, with life-lubricated speed reduction gearbox, with worm screw type mechanism.
 - Crankshaft/rod device with rubber abutments ensuring smooth, flexible movements, and progressive decelerations at the end of the movements.
 - Safety torque limiter with adjustable friction disks. (HD Safety Clutch).
9. AS 1320 Controller including:
 - Many adjustable parameters to control the barrier.
 - 2 lines LCD screen to adjust or change parameters.
 - Built-in overload protection.
 - Up to 4 vehicle detectors.
 - Log of events.
 - Input and output contacts.
 - Test switches for opening and closing.
10. Emergency crank with safety circuit breaker for manual operation of the barrier in the event of a power failure.
11. Tip support: Electromagnetic Lock. (Supplied as an option).
12. Optional recessed installation template (steel base frame), which is provided for attaching the barrier to the ground using expansion bolts or threaded rods.

*Specifications subject to change without prior notice
Specifications and dimensions on reverse side.*

MODEL BL52
INDUSTRIAL GATE
OPERATOR

TECHNICAL DATA
ASA-1032-EN August 18th 2008

automatic
systems

ANTI-CORROSION PROTECTION

Internal mechanical parts

Protected by electro zinc plating.

Cabinet housing

Housing finish is with an anti-corrosion treatment to ensure resistance to the most severe environmental conditions.

PAINT WORK

Anti-corrosion paint

(1) Coat of primer paint, (2) components epoxy.

Finish coat

(1) Coat of (2) components polyurethane paint.

Standard colour: Orange (RAL 2000).

Arm

(1) Coat of (2) components polyurethane white paint for the arm.

TECHNICAL CHARACTERISTICS:

- Barrier arm length: 8m to 14m (26'3" to 45'1").
- Localization of the barrier arm: Boom mounting position is central. Arm offset to left or right-hand side to facilitate a folding skirt, optional.
- Tip Support, adjustable height. Electromechanically locking is optional. (See Tip Support data sheet).
- Heavy-duty HD Clutch.
- Motor: 1/2 HP AC - 1625 RPM.
- Power supply: 115 V single phase
- Frequency: 60Hz.
- Power Consumption:
 - o Stand-by = 175W. (Heater: 125W)
 - o In operation = 738W.
- Gearbox: Speed reduction type: VF110/A ratio of 100:1.
- Net weight: 365Kg to 385Kg (800lbs to 850lbs.) with barrier arm.
- Operation temperatures: -25°C to +70° C (-13°F to +158°F).
- Bracing wires and adjustable stretchers: Stainless steel. 2 to 4 wires required depending on boom length.
- MCBF: 6 million cycles. (Normal maintenance required).

OPTIONS

- Barrier Arms: 8m to 14m (26'3" to 45'1") long.
 - Boom mounting position is central. Arm offset to left or right-hand side to facilitate a folding skirt, optional.
 - Rigid aluminium folding lower skirt.
 - Alternate red and white plastic link folding skirt.
 - Barrier arm safety pressure switch. (Mounted on lead bottom edge).
 - Barrier arm safety sensor system. (Two types available, please consult).
 - Electro magnetically locked barrier arm tip support.
 - Barrier arm lighting. (Spacing: one light approximately every 1m (3'3")).
 - Flashing relay for arm lighting.
 - Barrier arm signage. (Please consult).
- Note: Adding optional attachments to the Barrier arm increases weight, therefore decreasing the maximum available Barrier arm length.
- Additional heater for extreme cold.
 - Cabinet colours other than the standard orange.
 - Installation template steel base frame.
 - 3-phases power supply.

CONTROLLER OPTIONS

- Operated via a 3 push button box (open-stop-close), or automatic closing with a loop detector.
- Actuation devices, such as push buttons, card readers, vehicle presence detectors + detection loops, etc., for opening or closing of gate.
- Controller and detector allow many settings of the detecting loops like:
 - Arming,
 - Reset, safety closing
 - Free vend, automatic opening.

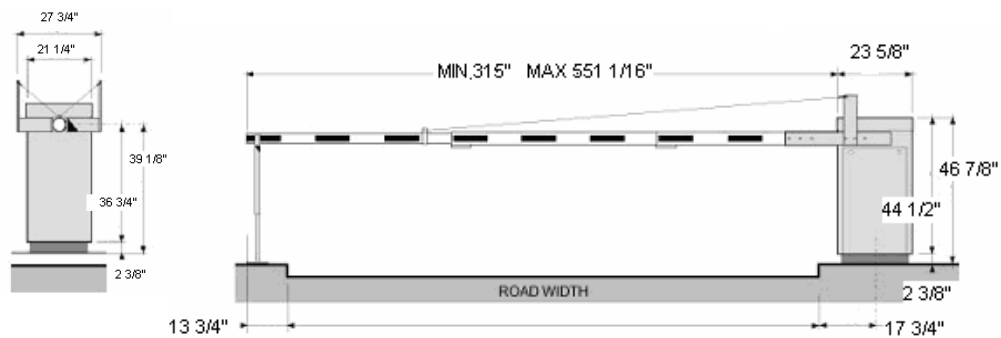


Figure 1

MODEL BL52
INDUSTRIAL GATE
OPERATOR

TECHNICAL DATA
ASA-1032-EN August 18th 2008

 **automatic
systems**